

INSTALLATION INSTRUCTIONS

AODE/4R70W MCCG (LOCK-UP) SOLENOID

EARLY UNITS ONLY: '92-'94, SOME '95
76918 1 to 3 ohms



Caution: There are two types of solenoids, each having different resistance. To determine which ohm of resistance is required for the MCGC (lock-up), the most accurate method is to use a multi-meter to insure the resistance of the original lock-up solenoid.

- 1. To Remove:** Remove the dual shift solenoid by first unplugging the harness. Remove the two bolts holding the dual solenoid to the valve body. One of the bolts may secure both the dual solenoid and the MCGC (lock-up). Pull out the dual solenoid, and remove the MCGC lock-up solenoid.
- 2. To Install:** Insert the new Teckpak MCGC solenoid (Figure 2). Then, install the dual shift solenoid into the valve body, as shown in (Figure 1). Tighten the bolts to specification. Plug the OEM harness connector into the dual solenoid, and connect the MCGC lock-up solenoid.

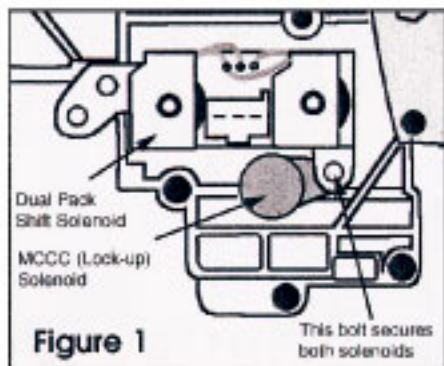


Figure 2



Figure 1

Note: If small O-ring is cut during installation, lock-up occurs immediately on 2nd gear shift. Therefore a second O-ring is provided.

Teckpak Hotline: 1-800-527-2544 / www.teckpak-fitzall.com